



FOR A BETTER
HOTEL EXPERIENCE
2010 LG HOTEL TV



FIRST IMPRESSIONS LAST

The televisions in the LG Hotel TV range have been stylishly designed to give maximum impact as well as practical benefits. Easy to use controls and practical features mean you can put your hotel's services at your guests fingertips. So you can make a first impression that will really last.



GIVING YOUR CUSTOMERS THE VERY BEST

Reliability is important. That's why we're always on the lookout for new ways to deliver the latest innovations to wow your guests and give you products that won't let you down. Our service levels won't let you down either: we treat all our customer relationships as partnerships – so you can continue to deliver the very best for your customers.



RESPECT THE ENVIRONMENT AND CUT YOUR OVERHEADS

We've been doing our bit to help you reduce your overheads and the impact you make on the environment. Our research and development team have been employing and developing eco-friendly technologies to create televisions that are up to 30% more efficient than standard units. That could mean massive energy-savings for you. We've also been developing TVs that are RoHS compliant to safeguard your guests' health.



 **EcoSmart™**
Static power-saving

 **Energy Star 3.0**
All of our televisions are Energy Star 3.0 compliant, and use up to 30% less energy than standard units.

 **RoHS**
All of our televisions comply with EU RoHS safety standards.

INNOVATIONS IN TECHNOLOGY, DESIGN THAT FITS.

Sleek design and cutting-edge technology work in perfect harmony with LG Hotel TV. The sophisticated appearance of our televisions is stylish enough to look at home in modern hotels, and modest enough to not be obtrusive in more traditional environments.



Integrated DVB-T/C & MPEG-4

Our televisions feature integrated DVB tuners which allow you to receive exceptional MPEG4 HD pictures across terrestrial and cable television, without the need for an additional set-top box.

USB Cloning & Player

Guests can connect devices such as MP3 players and digital cameras to the television with ease to play music, view photos and watch videos. USB Cloning allows you to easily import the settings of one TV to all other units, meaning each TV in your hotel can have uniform settings without time-consuming installations.

Variable SPK Out

The External speaker that comes with the TV enables guests to immerse themselves in pristine sound wherever they choose. So even if they're in the bathroom, they can still hear the TV as if it were next to them. Perfect for music lovers or news hounds.

Interactivity

LG Hotel TV allows complete interactivity using the Set-Top-box and its remote controller for Real time & near Video On Demand service for hoteliers. All of these become active through RS232C and External power out for SI box.

The LG Hotel Product Line up

Our range offers versatility, performance and choice.
Choose the features that suit your hotel best.



19"

22"

26"

32"

37"

42"

47"

Series	19"	22"	26"	32"	37"	42"	47"
LH200H Series INTERACTIVE 	•	•	•	•	•	•	•
LH250C Series COMMERCIAL LITE + 	•	•	•	•	•	•	•
LH301C Series COMMERCIAL LITE 	•	•	•	—	—	—	—
LH201C Series COMMERCIAL LITE 	•	•	•	—	—	—	—



Picture

- HD Resolution(22", 26", 32")
- FHD Resolution (37F", 42F")
- Integrated DVB-T/C (MPEG4)

Convenience

- Clear Voice II
- 2 x HDMI 1.3 / Simplink with HDMI
- Swivel Stand (26" f)
- Cable Management System

Hotel Dedicated Function

- Invisible Clock
- STB Compatibility ; TVLink- Tuner / CEC / Interactive Compatible
- External Power Out / IR Out
- Welcome Screen / Multi IR Code
- Variable Speaker Out
- Active RJP
- Hotel Mode

Total Cost Benefits

- TV Link Loader
- USB Cloning
- RCU Battery Lock Screw
- Video Mute
- Power Saving

A FEATURE-PACKED INTERACTIVE CAPABLE TV FOR THE EUROPEAN HOTEL MARKET

LH200H SERIES



Integrated DVB-T/C with MPEG4

MPEG4 HDTV reception via DVB-Terrestrial and DVB-Cable tuners. DVB-T/C tuners allow you to receive high definition broadcast contents via both built-in tuners giving exceptional picture and sound quality without an additional set-top-box.



USB Function (Cloning & Player)

USB compatible function allows guests fast access to a personal collection of music, photos, videos and more.

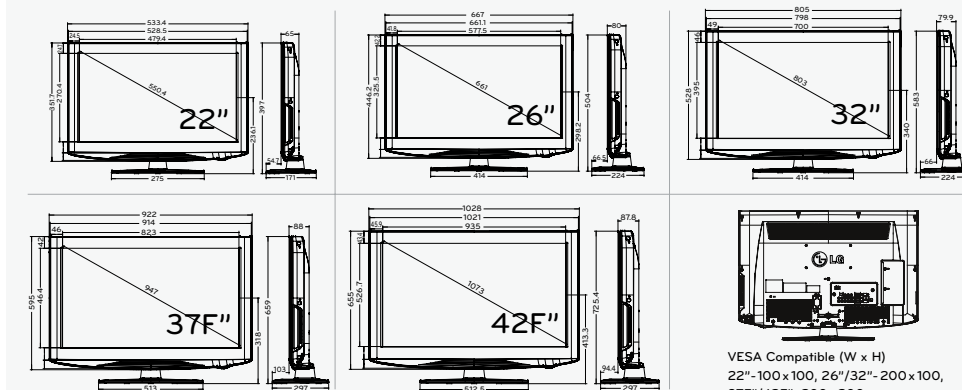


Welcome Screen

Leave personalised welcome screen for your guests on their TV screens. Sometimes little things make a big difference.

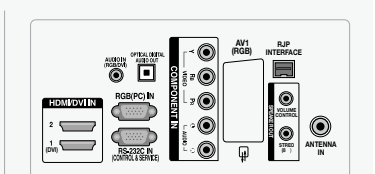


LG Interactive Hotel TV



VESA Compatible (W x H)
22"-100 x 100, 26"/32"-200 x 100,
37F"/42F"-200 x 200

Back Connection Panel





Picture

- HD Resolution (19", 22", 26", 32")
- FHD Resolution (42F")
- Integrated DVB-T/C (MPEG4)

Convenience

- Clear Voice II
- 2 x HDMI 1.3 / Simplink with HDMI
- Swivel Stand (26" †)
- Cable Management System

Hotel Dedicated Function

- Invisible Clock
- TVLink-Tuner Protocol Ready
- IR Out Ready
- Multi IR Code
- Variable Speaker Out
- Active RJP
- Hotel Mode

Total Cost Benefits

- TV Link Loader
- USB Cloning
- RCU Battery Lock Screw
- Video Mute
- Power Saving

A TOP QUALITY COMMERCIAL HOTEL TV THAT'S UNRIVALLED FOR EASE OF USE AND COST EFFICIENCY

LH250C SERIES



Invisible Clock

The integrated LED clock has an array of alarm functions that are useful for guests, yet introduces cost savings for hoteliers - no need to supply a separate alarm clock.



Variable Speaker Out

By adding an additional speaker, guests can immerse themselves in pristine sound wherever they choose. Even if they're in the bathroom, guests can hear and control the TV sound as if it were next to them. Perfect for music.

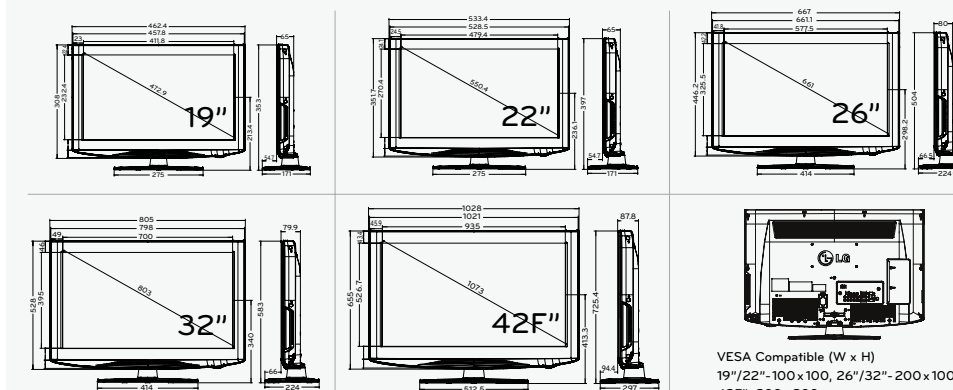


Connectivity (Remote Jack Pack)

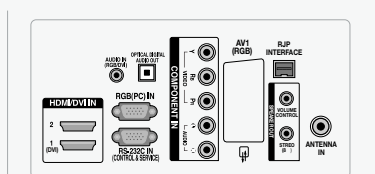
This feature allows guests to connect portable electronic devices such as laptops to the television to view documents, videos and photos in sharper detail.



LG Interactive Hotel TV



Back Connection Panel



VESA Compatible (W x H)
19"/22"-100 x 100, 26"/32"-200 x 100,
42F"-200 x 200

Picture

- FHD Resolution
- Integrated DVB-T/C (MPEG4)

Convenience

- Clear Voice II
- 3 x HDMI 1.3 /
- Simplink with HDMI
- Swivel Stand (26" f)
- Cable Management System

Hotel Dedicated Function

- Hotel Mode
- TVLink-Tuner Protocol Ready

Total Cost Benefits

- TV Link Loader
- USB Cloning
- EcoSmart™

Picture

- HD Resolution
- Integrated DVB-T/C (MPEG4)

Convenience

- Clear Voice
- 2 x HDMI 1.3 /
- Simplink with HDMI
- Swivel Stand (26" f)
- Cable Management System

Hotel Dedicated Function

- Hotel Mode
- TV Link-Tuner Protocol Ready

Total Cost Benefits

- TV Link Loader
- USB Cloning
- EcoSmart™

A FULL HD TV WITH ENVIRONMENTAL BENEFITS

A TV THAT'S INCREDIBLY ENERGY-EFFICIENT AND EASY TO USE



LH301C SERIES



LH201C SERIES

Full HD
Enjoy razor-sharp picture quality with a TV that maximises HD technology, offering an image resolution of 1920x1080.

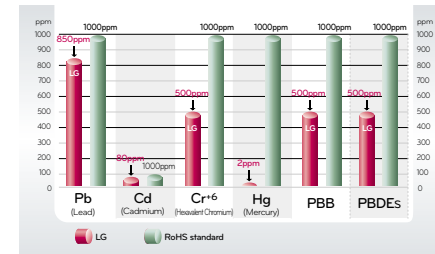
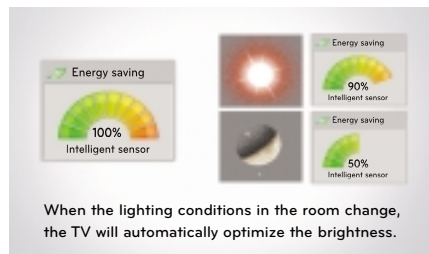
Hotel Mode
LG Hotel TV enables hoteliers to set parameters for all of your hotel's TVs in hidden menu. From channel selection to energy-saving features, you're in control.

EcoSmart™
LG Hotel TVs meet strict legal guidelines for energy consumption. All TVs are Energy Star rated and are as much as 30% more efficient than standard units.

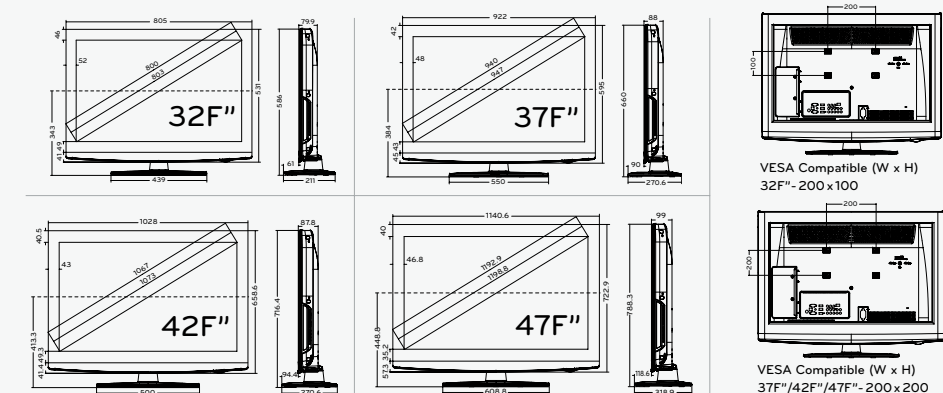
TV-Link Loader
This feature makes it easy to clone the settings from one central TV to all other TVs in your hotel with TV link loader as well as USB. So no more lengthy installation times.

Hotel Mode
From channel selection to energy-saving features, you can re-set TVs to their default settings or prevent misuse, over loud volume or changes to colour or display settings. You're in control.

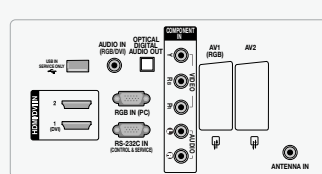
RoHS
Naturally, all of our TVs comply with RoHS safety standards.



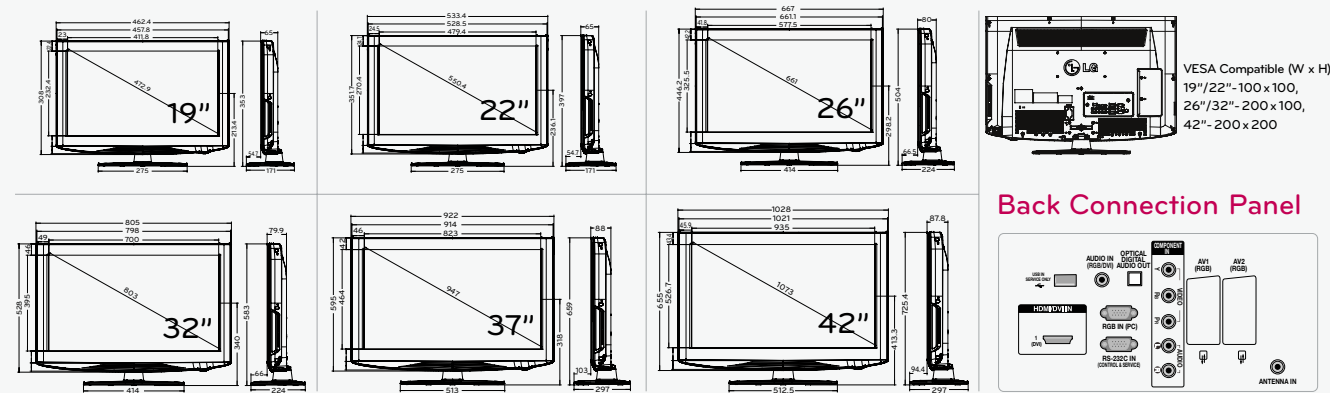
LG Interactive Hotel TV



Back Connection Panel



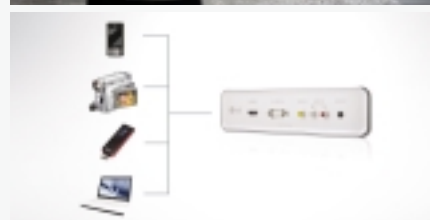
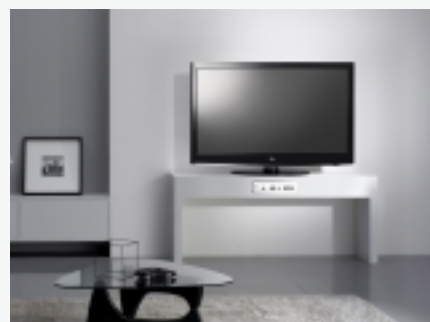
LG Commercial Lite TV



RJP (Remote Jack Pack)

RJP-301B | RJP-401W

RJP-301B
RJP-401W



Embrace multimedia with Hotel TV's RJP seamless connectivity :
LG Hotel TV's Remote Jack Pack offers quick and easy connectivity with personal electronic devices such as MP3 players, digital camera and laptops. Our TVs automatically detect when a device has been connected and immediately links it with the TV screen, allowing your guests to turn their television into a personalised entertainment hub.



RJP-301B



RJP-401W



iPod Docking Station
(Available From March 2010)

Design

RJP-301B : Wall-mounted
RJP-401W : Free standing

Interface

Available for Laptops, digital cameras, DVDs, MP3 players and iPod
- HDMI : All digital audio/video interface capable of transmitting uncompressed stream
- PC video in : Carries analog video signals
- Video In : Composite video

* Video quality is prioritised in the order
HDMI>RGB>S-video>Composite video

Specifications

RJP-301B | RJP-401W



RJP-301B



RJP-401W

MODEL NUMBER	Features	RJP-301B	RJP-401W
	Color	Black	White
		Vertical Wall Mount	iPod docking available Standing
END-USER DEVICE INPUTS	Video In	Composite Video Jack 1 Vpp, 75 ohms	Composite Video Jack 1 Vpp, 75 ohms
	Audio In L/R	Left - Right Audio Jacks (Nom In: 250mV RMS @ 22K ohms) Overload In: 1.6V RMS Max	Left - Right Audio Jacks (Nom In: 250mV RMS @ 22K ohms) Overload In: 1.6V RMS Max
	Audio In	3.5 mm Stereo Audio Jack	3.5 mm Stereo Audio Jack
	Digital Video In	Digital Video Connector (HDMI)	Digital Video Connector (HDMI)
	PC Video In	15-pin RGB PC Monitor Connector	15-pin RGB PC Monitor Connector
	USB In	None	2EA (USB Hub built-in)
	SD Card Slot	None	Available only with iPod docking station
OUTPUT	Video Outputs	HDMI	HDMI
	Video Out	HDMI (DVI) 800x600 @ 60Hz 1360x768@60Hz (Shipping default) 1680x1050 @ 60Hz 1920x1080 @ 60Hz	HDMI (DVI) 800x600 @ 60Hz 1360x768 @ 60Hz (Shipping default) 1680x1050 @ 60Hz 1920x1080 @ 60Hz
	Audio Out L/R	HDMI Audio 1EA / Left & Right Audio Jacks 1pair (Max : 1.6 V RMS (1 KHz @ 600 ohms, Typ : 250mV RMS @ 600 ohms)	HDMI Audio 1EA / Left & Right Audio Jacks 1pair (Max : 1.6 V RMS (1 KHz) @ 600 ohms, Typ : 250mV RMS @ 600 ohms)
	Digital Video Out	HDMI	HDMI
	USB Out	iPod Dock Port (USB Memory compatible)	iPod Dock Port (USB Memory compatible)
	Control Out	Control Jack (8-Pin RJ-45)	Control Jack (8-Pin RJ-45)
	Software	Yes	Yes
	Standard	UL (cUL) FCC (DoC_Class B) CE, C-Tick	UL (cUL) FCC (DoC_Class B) CE, C-Tick
	Cable Bundle Length	12 feet	12 feet
	Include (1ft Converter Cable)	Single Cable to HDMI Converter	Single Cable to HDMI Converter

* The specifications and features are subject to change without prior notice.

LG HOTEL TV
TECHNICAL FEATURES

Technology | Sound

Integrated DVB-T/C & MPEG-4 | Invisible Speaker | Simple Remote Controller

Integrated DVB-T/C & MPEG-4

• **MPEG4 HDTV reception via DVB-Terrestrial and DVB-Cable tuners.**
 DVB-T/C tuners allow you to receive high definition broadcast contents via both built-in tuners giving exceptional picture.



• **MPEG-4 Technology**
 This advanced system delivers more HD channels in the same frequency bandwidth as before. LG's LH200H, LH250C, LH301C, LH201C incorporate advanced digital video compression technology, MPEG-4 (Moving Picture Experts Group) H.264, that enhances performance and simplicity for venues delivering high-definition satellite programming. Integrated MPEG-4 HDTVs support the industry's deployment of DIRECT-delivered HD contents.

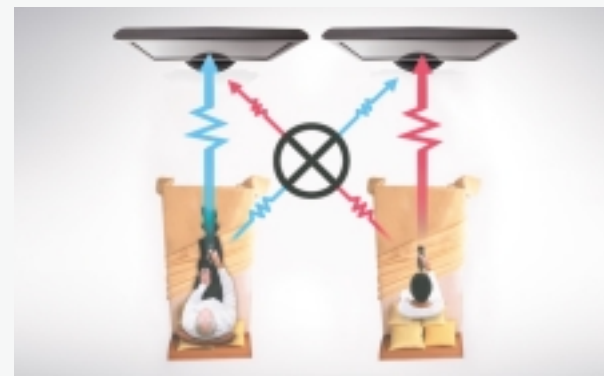
Simple Remote controller (LH200H/LH250C only)

LG Hotel TV's simplified remote controller makes controlling multiple functions easier than ever. All in one remote controller greatly enhances your convenience; RCU Battery Lock, Low Battery Detection and Multi IR Code.

• **Low Battery Detection**
 This simple but smart remote controller detects low battery below a certain voltage and sends a warning message to the TV screen. It means you can make sure that the remote is fully charged before a complaint is raised.



• **Multi IR Code**
 LG Hotel TV's Simple Remote Controller is able to control multiple TVs in one room. This function has been specially designed for locations that require more than one TV such as Hospitals and Care Homes. You can control up to 9 TVs with a single controller.



Sound

• **Invisible Speaker**
 LG Hotel TVs adopted "Invisible Speaker" system vibrates the TV's front bezel along with speakers. This gives even better, more vivid sound.



Features developed specially for hoteliers

Hotel Mode | RJP(Remote Jack Pack) | USB Cloning & USB Photo, Music and Video | Swivel Stand | Kensington Lock

• **Hotel Mode**
 Our hotel dedicated feature, Public Display mode, enables you to manage your TV settings across the entire hotel.



- **Public Display Mode** The option "Yes" indicates that the hotel mode is active. The option "No" leaves sub-menu inactive.
- **Start Channel** When you select "Yes" you can set a designated start channel. Channel type can be selected "TV, DTV, CTV, CDTV" Major, Minor represent Channel No. to be inserted.
- **Minimum Volume, Maximum Volume** Set the maximum and minimum volume as you wish. It can be ranged from 0 to 100.
- **Start Volume** The option "Yes" indicates that the start volume can be set.
- **Power management** TV automatically turns off if there is no command. The limit time can be selected from 1 to 7 hours.
- **Key Management** Select "0" : respond to all commands from remote controller. Select "1" : prevent TV from responding to "menu" key. Select "4" : prevent TV from responding to "menu" key on the remote as well as on the TV panel.

• **RJP(Remote Jack Pack)**
 Your guests may wish to work on their own portable devices. The plug and play function of the Remote Jack Pack enables them to view their media on the hotel TV screen easily and whenever they wish.



• **USB Cloning & USB Photo, Music and Video**

• **USB Cloning**
 Besides LG TV Link loader, USB cloning makes it easy to clone all hotel mode settings to any additional TV sets. This will reduce installation time and ensures uniformity across the entire Hotel network.



• **USB Photo, Music and Video (LH200H/LH250C only)**
 Guests can view files and listen to musics stored on their own portable USB devices. Any contents in the format of JPEG, MP3 and DivX can be supported.



• **Swivel Stand**
 The swivel stand allows guests to turn the TV up to 40 degree on both right and left sides, so they choose to enhance the viewing experience.



• **Kensington Lock**
 The Anti-theft Lock provides foolproof security to prevent the TVs from being stolen.



LGE's Eco-Strategy

Eco-friendly Technology Schemes | Eco Design Strategy



Four key Eco-design strategies

- Resource [Reduce use of resources]
- Recycle [Improve recyclability]
- Energy [Enhance energy efficiency]
- Hazardous substance [Replace hazardous substances]

A BIG SCREEN TV THAT DELIVERS BIG SAVINGS

Saving energy doesn't always mean sacrificing picture quality. With LG's Smart Energy Saving technology, it's the opposite. Smart Energy Saving is an eco-friendly way to experience unprecedented picture quality while saving energy at the same time. With unique power-saving features, such as backlight controls and stand by mode O, you can still feel good about watching TV. 📺

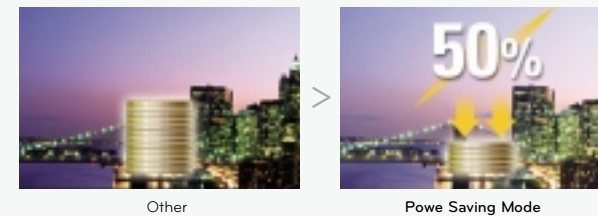
Eco-Technology

Energy Star 3.0 | Static Power Saving | RoHS | Fire Retardant

Energy Star 3.0
ENERGY STAR qualified TVs use about 30% less energy than standard units. They save energy both in standby mode and when in use. By choosing ENERGY STAR, you are helping prevent global warming and promote cleaner air without sacrificing the product quality and performance you expect. It will also enable you to enhance your 'eco-friendly' image.



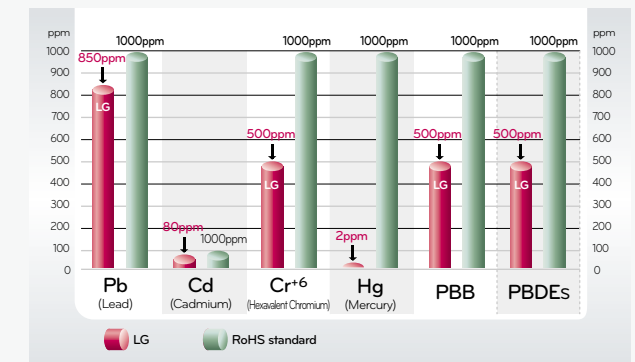
Static Power Saving
Picture brightness level can be set at the preferred power consumption level to reduce power and increase.



- Static dimming control (overall adjustment) that adjusts absolute brightness of backlight.
- Dynamic dimming control (partial adjustment) that can adjust the brightness of each screen locally so that power savings are achieved but without guests noticing.

RoHS
LG Hotel TVs are RoHS compliant to preserve user health and care for the environment.

RoHS compliant
LGE restricts the use of 6 hazardous substances such as lead and mercury to protect human health and preserve the environment.

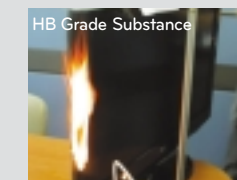


*RoHS : Restriction Of Hazardous Substances

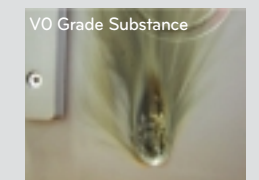
Fire Retardant
LG Hotel TVs have a special housing of eco-friendly, flame-retardant materials. We use UL-V0, the highest rated substance, in our TVs to ensure that fire risk is minimised. All our TVs are fully compliant with IEC recommendation - UL Qualification - so helping you stay safe and protecting your hotel from fire.

Flame Test - HB and V0

This test is to show what happens to the TVs case after it has been alight for three minutes



Still alight whilst exposed to a naked flame



Fire is extinguished as soon as the naked flame is removed

Power Consumption - LH200H / LH250C / LH301C / LH201C

Model Series	LH200H						LH250C						
	Inch	22"	26"	32"	37"	42"	19"	22"	26"	32"	42"		
Power On	Typical Consumption	41W	76.5W	89W	122W	165W	25W	40W	76.5W	89W	165W		
	High Power Saving Mode	23W	32W	36.5W	45.5W	55W	16.5W	22W	32W	36.5W	55W		
	Medium Power Saving Mode	32W	54.5W	64W	81W	110.5W	21W	31W	54.5W	64W	110.5W		
	Low Power Saving Mode	40W	73W	85W	116W	156W	24W	39W	73W	85W	156W		
Stand-by	In-stop	0.5W						0.7W					
	Clock On	1W						2W					

Model Series	LH301C				LH201C						
	Inch	32"	37"	42"	47"	19"	22"	26"	32"	37"	42"
Power On	Typical Consumption	89W	119W	164W	195W	24W	39W	75W	88W	113W	164W
	High Power Saving Mode	36.5W	43W	53W	73W	15W	21W	31W	35W	39W	53W
	Medium Power Saving Mode	64W	79W	109W	130W	20W	30W	53W	62W	75W	109W
	Low Power Saving Mode	85W	113W	155W	186W	23W	38W	74W	84W	107W	155W
Stand-by	In-stop	0.4W									
	Clock On	N/A									

Specifications

22"/26"/32"/37F"/42F" LH200H | 19"/22"/26"/32" LH250C



LH200H



LH250C

PANEL	Size	22" / 26" / 32"	37F" / 42F"	19" / 22" / 26" / 32"
Resolution		1366 x 768	1920 x 1080	1366 x 768
Brightness (cd/m ²)		350/450/450	500	300/350/450/450
Contrast Ratio		2500/3000/3000	3000/5000	1000/2500/3000/3000
Dynamic Contrast Ratio		22" - 20,000:1 26" / 32" - 40,000:1	50,000:1	19" / 22" - 20,000:1 26" / 32" - 40,000:1
VIDEO	All Format Converter	1080p / 1080i / 720p / 480p / 480i → 768p	1080p / 1080i / 720p / 480p / 480i → 1080p	1080p / 1080i / 720p / 480p / 480i → 768p
	Digital Comb Filter	•	•	•
	Color Temperature Control / CSM	3 Modes (Cool / Medium / Warm)	3 Modes (Cool / Medium / Warm)	3 Modes (Cool / Medium / Warm)
	Cinema 3:2 Pull down	•	•	•
	Picture Status Mode	8 Modes (Vivid / Standard / Natural / Cinema / Sport / Game / Expert 1 / Expert 2)	8 Modes (Vivid / Standard / Natural / Cinema / Sport / Game / Expert 1 / Expert 2)	8 Modes (Vivid / Standard / Natural / Cinema / Sport / Game / Expert 1 / Expert 2)
	Tuner	DVB-T/C with MPEG4	DVB-T/C with MPEG4	DVB-T/C with MPEG4
	XD Engine	•	•	•
AUDIO	Dolby Digital Decoder	•	•	•
	Audio Output	22" : 2 x 3W 26" : 2 x 5W 32" : 2 x 7W	2 x 10W	19" / 22" : 2 x 3W 26" : 2 x 5W 32" : 2 x 7W
	Invisible Speaker	•	•	•
	EZ Sound / SSM	5 Modes (Standard / Music / Cinema / Sport / Game)	5 Modes (Standard / Music / Cinema / Sport / Game)	5 Modes (Standard / Music / Cinema / Sport / Game)
FEATURES	Eye Care (Anti Dazzling)	•	•	•
	JPEG View & MP3 Play at the same	•	•	•
	1080P Source Input	•	•	•
	HD Divx	•	•	•
	USB (2.0)	•	•	•
	RoHS	•	•	•
	Auto Off / Auto Sleep	•	•	•
COMMERCIAL FEATURE	Installation Menu	•	•	•
	USBLink Loader	•	•	•
	TVLink Protocol	TVLink-Interactive / TVLink-Tuner / TVLink-Monitor / TVLink-IR / TVLink-CEC	TVLink-Interactive / TVLink-Tuner / TVLink-Monitor / TVLink-IR / TVLink-CEC	TVLink-Tuner / TVLink-Monitor / TVLink-IR
	Front LED Clock	• (Invisible)	• (Invisible)	• (Invisible)
	RS-232C Port	•	•	•
	External Speaker Out	• (3W/Stereo) 22" : 1W	• (3W/Stereo)	• (3W/Stereo) 19" / 22" : 1W
	RJP Interface	• (RJ45)	• (RJ45)	• (RJ45)
	RGB Overlay	•	•	•
	Power Saving Function	•	•	•
	Video Mute	•	•	•
	Multi IR Code	•	•	•
	Power On Flash Image	•	•	•
	Anti-theft System	•	•	•
	VESA Mounting	•	•	•
	RCU Battery Lock (ACC.)	•	•	•
	Swivel	20	20	20
	Cable Management	•	•	•
INTERFACE	RF In	1	1	1
	Component In (RCA jack)	1	1	1
	A/V In (SCART)	1 (Full)	1 (Full)	1 (Full)
	RGB In	1	1	1
	HDMI Input	2 (480p / 576p / 720p / 1080i / 1080p) - 1 Port PC Mode	2 (480p / 576p / 720p / 1080i / 1080p) - 1 Port PC Mode	2 (480p / 576p / 720p / 1080i / 1080p) - 1 Port PC Mode
	RS-232C	•	•	•
	RJP (RJ-45)	1	1	1
POWER	Voltage, Hz	220V, 50 / 60Hz	220V, 50 / 60Hz	220V, 50 / 60Hz
DIMENSION	SET (with stand, WxHxD, mm), Weight (Kg)	22" : 533.4 x 397 x 171 / 4.8 26" : 667 x 504 x 224 / 8.9 32" : 805 x 583 x 224 / 11.5	37F" : 922 x 659 x 297 / 14.4 42F" : 1028 x 715.4 x 297 / 17.4	19" : 462.4 x 353 x 171 / 3.8 22" : 533.4 x 397 x 171 / 4.8 26" : 667 x 504 x 224 / 8.9 32" : 805 x 583 x 224 / 11.5

* The specifications and features are subject to change without prior notice.

Specifications

42F" LH250C | 32F"/37F"/42F"/47F" LH301C
19"/22"/26"/32"/37"/42" LH201C

LH250C



LH301C



LH201C

PANEL	Size	42F"	32F" / 37F" / 42F" / 47F"	19" / 22" / 26" / 32" / 37" / 42"
Resolution		1920 x 1080	1920 x 1080	1366 x 768
Brightness (cd/m ²)		500	500	19" (300) / 22" (350) / 26, 32" (450) / 37, 42" (500)
Contrast Ratio		5000	4000/3000/5000/1400	1000/2500/3000/3000/1200/2700
Dynamic Contrast Ratio		50,000:1	50,000:1	19" / 22" - 8,000:1 26" / 32" / 37" / 42" - 30,000:1
VIDEO	All Format Converter	1080p / 1080i / 720p / 480p / 480i → 1080p	1080p / 1080i / 720p / 480p / 480i → 1080p	1080p / 1080i / 720p / 480p / 480i → 768p
	Digital Comb Filter	•	•	•
	Color Temperature Control / CSM	3 Modes (Cool / Medium / Warm)	3 Modes (Cool / Medium / Warm)	3 Modes (Cool / Medium / Warm)
	Cinema 3:2 Pull down	•	•	•
	Picture Status Mode	8 Modes (Vivid / Standard / Natural / Cinema / Sport / Game / Expert 1 / Expert 2)	8 Modes (Vivid / Standard / Natural / Cinema / Sport / Game / Expert 1 / Expert 2)	8 Modes (Vivid / Standard / Natural / Cinema / Sport / Game / Expert 1 / Expert 2)
	Tuner	DVB-T/C with MPEG4	DVB-T/C with MPEG4	DVB-T/C with MPEG4
	XD Engine	•	•	•
AUDIO	Dolby Digital Decoder	•	•	•
	Audio Output	2 x 10W	32" : 2 x 7W 37" / 42" / 47" : 2 x 10W	19" / 22" : 2 x 3W 26" : 2 x 5W / 32" : 2 x 7W 37" / 42" : 2 x 10W
	Invisible Speaker	•	•	•
	EZ Sound / SSM	5 Modes (Standard / Music / Cinema / Sport / Game)	5 Modes (Standard / Music / Cinema / Sport / Game)	5 Modes (Standard / Music / Cinema / Sport / Game)
FEATURES	Eye Care (Anti Dazzling)	•	•	•
	JPEG View & MP3 Play at the same	•	•	•
	1080P Source Input	•	•	•
	HD Divx	•	•	•
	USB (2.0)	•	Only SVC	Only SVC
	RoHS	•	•	•
	Auto Off / Auto Sleep	•	•	•
COMMERCIAL FEATURE	Installation Menu	•	•	•
	USBLink Loader	•	•	•
	TVLink Protocol	TVLink-Tuner / TVLink-Monitor / TVLink-IR	TVLink-Tuner / TVLink-Monitor / TVLink-IR	TVLink-Tuner / TVLink-Monitor / TVLink-IR
	Front LED Clock	• (Invisible)	•	•
	RS-232C Port	•	•	•
	External Speaker Out	• (3W/Stereo)	•	•
	RJP Interface	• (RJ45)	•	•
	RGB Overlay	•	•	•
	Power Saving Function	•	•	•
	Video Mute	•	•	•
	BED 1/2 Function	•	•	•
	Power On Flash Image	•	•	•
	Anti-theft System	•	•	•
	VESA Mounting	•	•	•
	RCU Battery Lock (ACC.)	•	•	•
	Swivel	20	20	20
	Cable Management	•	•	•
INTERFACE	RF In	1	1	1
	A/V In (RCA jack)	1	1	1
	A/V In (SCART)	1 (Full)	2 (Full / Half)	2 (Full / Half)
	RGB In	1	1	1
	HDMI Input	2 (480p / 576p / 720p / 1080i / 1080p) - 1 Port PC Mode	3 (480p / 576p / 720p / 1080i / 1080p) - 1 Port PC Mode	2 (480p / 576p / 720p / 1080i / 1080p) - 1 Port PC Mode
	RS-232C	•	•	•
	RJP (RJ-45)	1	•	•
POWER	Voltage, Hz	220V, 50 / 60Hz	220V, 50 / 60Hz	220V, 50 / 60Hz
DIMENSION	SET (with stand, mm) / Weight (Kg)	42F" : 1028 x 715.4 x 297 / 17.4	37F" : 805 x 583 x 224 / 11.7 32F" : 922 x 659 x 297 / 14.4 42F" : 1028 x 715.4 x 297 / 17.4 47F" : 1140.6 x 784.8 x 337.4 / 22	19" : 462.4 x 353 x 171 / 3.8 22" : 533.4 x 397 x 171 / 4.8 26" : 667 x 504 x 224 / 8.9 32" : 805 x 583 x 224 / 11.5 37" : 922 x 659 x 297 / 14.2 42" : 1028 x 715.4 x 297 / 17.4

* The specifications and features are subject to change without prior notice.

